

**LOCHLIN
72" COPPER
SLIPPER TUB**

Cat. No.
COTSN72



L: 71 1/2"
W: 32 1/2"
H: 23" - 29"

Rim: 3" W
Overflow hole: 1 1/2"
Water depth: 16 1/2" to overflow
Overflow: 20" from floor

Features:

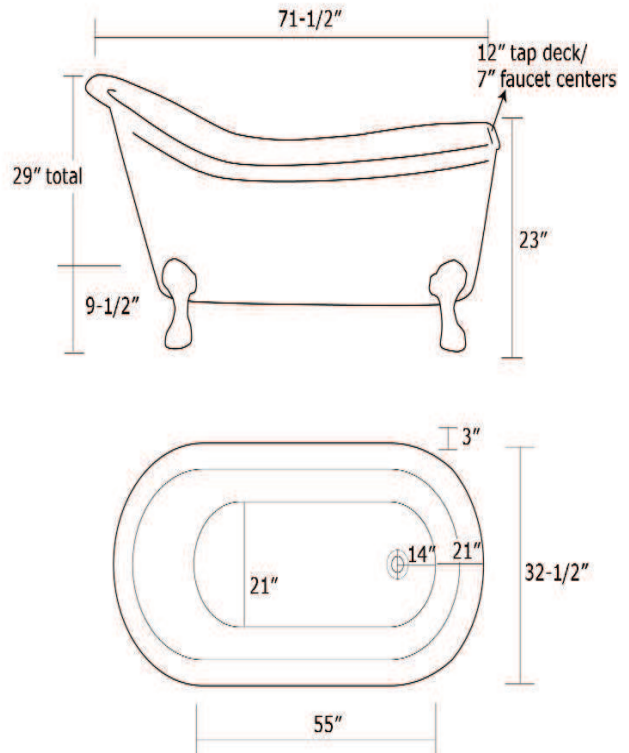
- ▶ Constructed of 16 gauge copper
(Copper is a living finish and will patina over time)
- ▶ Antique copper exterior and nickel plated interior
- ▶ Hand polished
- ▶ No faucet holes
- ▶ With overflow
- ▶ Hand-crafted construction makes each tub unique

Tub Finishes:

- AC** Antique Copper
- CN** Hammerd Antique Copper/ Nickel Interior

The following is recommended for COTSN tubs without faucet holes:
•Faucet: **Part #4602, 7393 or 7410**
•Freestanding bath supplies: **Part# 4502**
•Leg tub drain: **Part# 5599E**

Gallon Capacity: 82
Shipping Weight: 325 lbs.
Empty Weight: 100 lbs.
Filled Weight: 785 lbs.



Dimensions and specifications subject to change without notice.